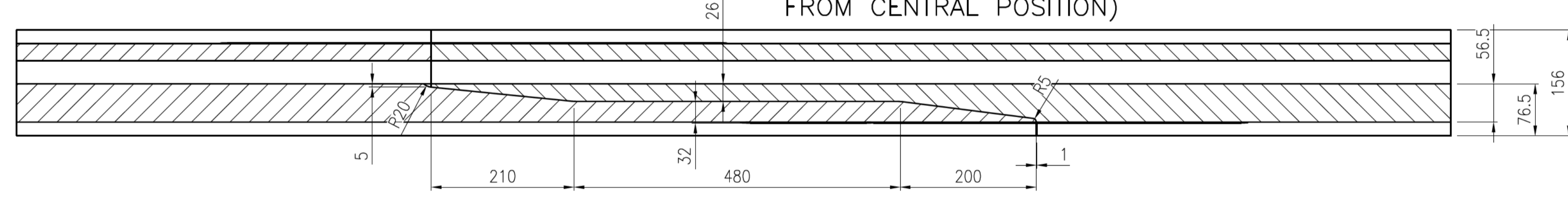


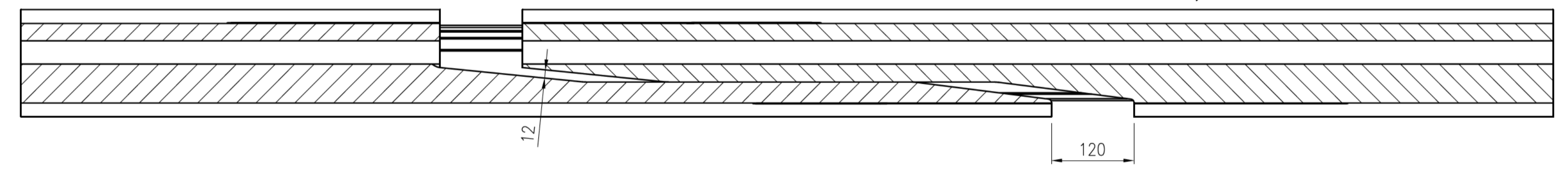
SPACE BETWEEN RAILS 0mm  
(DILATATION -60mm FROM CENTRAL POSITION)

SPACE BETWEEN RAILS 120mm  
(DILATATION +60mm FROM CENTRAL POSITION)

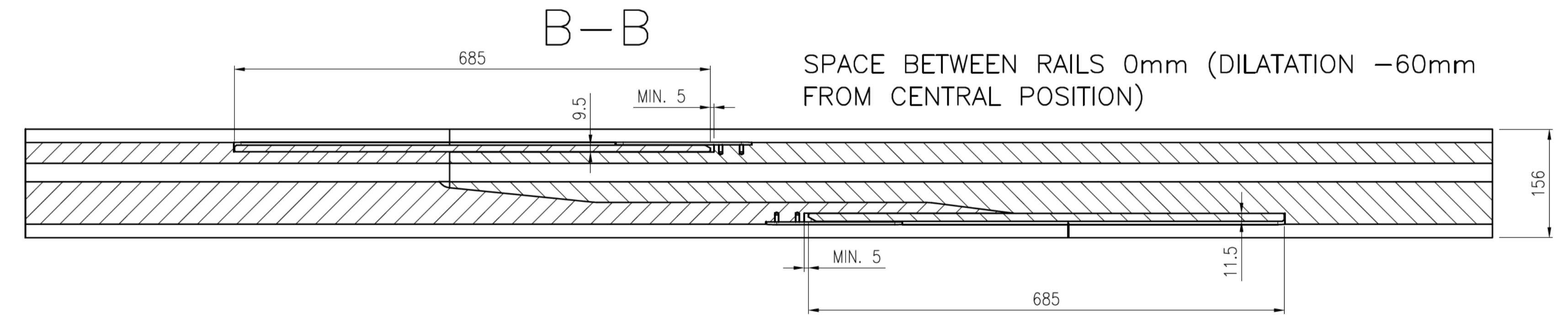
A-A SPACE BETWEEN RAILS 0mm (DILATATION -60mm FROM CENTRAL POSITION)



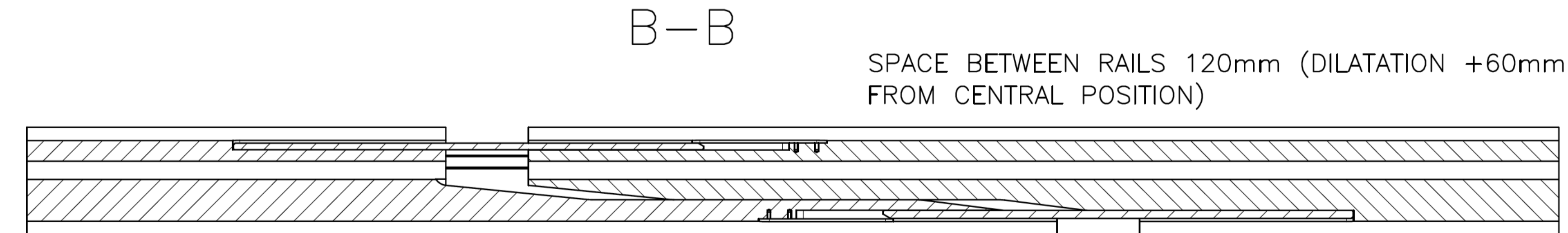
A-A SPACE BETWEEN RAILS 120mm (DILATATION +60mm FROM CENTRAL POSITION)



B-B SPACE BETWEEN RAILS 0mm (DILATATION -60mm FROM CENTRAL POSITION)



B-B SPACE BETWEEN RAILS 120mm (DILATATION +60mm FROM CENTRAL POSITION)



- ALL SLIDE SURFACES COVERED BY SLIDE VARNISH
- PLACEMENT OF POZ. 3, POZ. 4 IN RAIL WIHT CLEARANCE MIN. 0,25mm

	Zakázka:	Měřítka:	Přesnost:	ISO 2768 c.L.
		1:5	Průměrání:	
	Druh dokumentu:	MONTÁŽNÍ	Název:	DILATATION DEVICE LK1
	Kreslil:			120 mm
Schválil:		Datum vydání:	3.6.2017	Číslo dokumentu:
				17-06-01